

MDSTBV 2,5/ 2-G

Order No.: 1763032

The figure shows a 10-position version of the product

<http://eshop.phoenixcontact.de/phoenix/treeViewClick.do?UID=1763032>Header, nominal current: 10 A, rated voltage: 250 V, pitch: 5.0 mm, no.
of positions: 2, mounting: Soldering

Commercial data	
EAN	4017918031602
Pack	50 Pcs.
Customs tariff	85366990
Weight/Piece	0.0033 KG
Catalog page information	Page 230 (CC-2007)

Product notesWEEE/RoHS-compliant since:
01/01/2003

<http://www.download.phoenixcontact.com>
Please note that the data given here has been taken from the online catalog. For comprehensive information and data, please refer to the user documentation. The General Terms and Conditions of Use apply to Internet downloads.

Technical data

Dimensions / positions	
Pitch	5 mm
Dimension a	5 mm
Number of positions	2
Pin dimensions	1 x 1 mm
Hole diameter	1.4 mm

Technical data	
Insulating material group	I

Rated surge voltage (III/3)	4 kV
Rated surge voltage (III/2)	4 kV
Rated surge voltage (II/2)	4 kV
Rated voltage (III/2)	320 V
Rated voltage (II/2)	400 V
Connection in acc. with standard	EN-VDE
Nominal current I_N	10 A
Nominal voltage U_N	250 V
Maximum load current	10 A
Insulating material	PBT
Inflammability class acc. to UL 94	V0

Certificates / Approvals

Approval logo



CSA

Nominal voltage U_N	300 V
Nominal current I_N	10 A

CUL

Nominal voltage U_N	300 V
Nominal current I_N	10 A

UL

Nominal voltage U_N	300 V
Nominal current I_N	10 A
Certification	CB, CSA, CUL, GOST, UL, VDE-PZI

Accessories

Item	Designation	Description
1786679	MDSTB-SE	Side element, for lateral sealing of MSTB headers, 2.54 mm thick, color: green

1755477	MSTB-BL	Keying cap, for forming sections, plugs onto header pin, green insulating material
---------	---------	--

General

1836477	MDSTBV 2,5/ 2-GFL-5,08	Header, nominal current: 10 A, rated voltage: 250 V, pitch: 5.08 mm, no. of positions: 2, mounting: Soldering
1836480	MDSTBV 2,5/ 2-GFR-5,08	Header, nominal current: 10 A, rated voltage: 250 V, pitch: 5.08 mm, no. of positions: 2, mounting: Soldering

Marking

0804183	SK 5/3,8:FORTL.ZAHLEN	Marker card, printed horizontally, self-adhesive, 12 identical decades marked 1-10, 11-20 etc. up to 91-(99)100, sufficient for 120 terminal blocks
---------	-----------------------	---

Plug/Adapter

1734401	CR-MSTB	Coding section, inserted into the recess in the header or the inverted plug, red insulating material
---------	---------	--

Additional products

Item	Designation	Description
Assembly		
1909210	FKCT 2,5/ 2-ST	Plug component, nominal current: 12 A, rated voltage: 250 V, pitch: 5.0 mm, no. of positions: 2, type of connection: Spring-cage connection

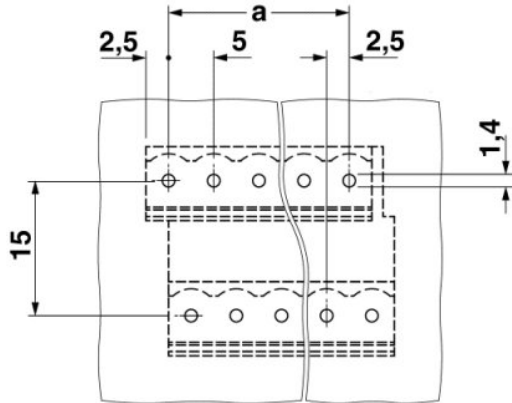
General

1910351	FKC 2,5/ 2-ST	Plug component, nominal current: 12 A, rated voltage: 250 V, pitch: 5.0 mm, no. of positions: 2, type of connection: Spring-cage connection
1910526	FKC 2,5/ 2-STF	Plug component, nominal current: 12 A, rated voltage: 250 V, pitch: 5.0 mm, no. of positions: 2, type of connection: Spring-cage connection
1909401	FKCT 2,5/ 2-STF	Plug component, nominal current: 12 A, rated voltage: 250 V, pitch: 5.0 mm, no. of positions: 2, type of connection: Spring-cage connection
1909715	FKCVR 2,5/ 2-ST	Plug component, nominal current: 12 A, rated voltage: 250 V, pitch: 5.0 mm, no. of positions: 2, type of connection: Spring-cage connection
1909883	FKCVR 2,5/ 2-STF	Plug component, nominal current: 12 A, rated voltage: 250 V, pitch: 5.0 mm, no. of positions: 2, type of connection: Spring-cage connection
1910034	FKCVW 2,5/ 2-ST	Plug component, nominal current: 12 A, rated voltage: 250 V, pitch: 5.0 mm, no. of positions: 2, type of connection: Spring-cage connection

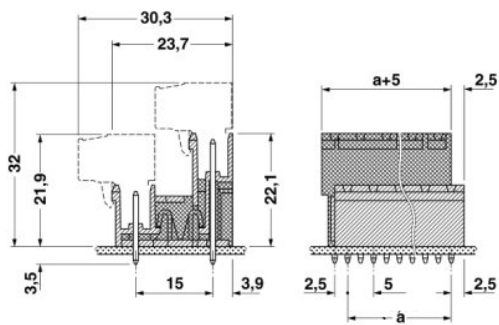
1910209	FKCVW 2,5/ 2-STF	Plug component, nominal current: 12 A, rated voltage: 250 V, pitch: 5.0 mm, no. of positions: 2, type of connection: Spring-cage connection
1779411	FRONT-MSTB 2,5/ 2-ST	Plug component, nominal current: 12 A, rated voltage: 250 V, pitch: 5.0 mm, no. of positions: 2, type of connection: Screw connection
1779644	FRONT-MSTB 2,5/ 2-STF	Plug with screw flange, nominal current: 12 A, rated voltage: 250 V, pitch: 5,0 mm, no. of positions: 2, type of connection: Screw connection
1754449	MSTB 2,5/ 2-ST	Plug component, nominal current: 12 A, rated voltage: 250 V, pitch: 5.0 mm, no. of positions: 2, type of connection: Screw connection
1786831	MSTB 2,5/ 2-STF	Plug component, nominal current: 12 A, rated voltage: 250 V, pitch: 5.0 mm, no. of positions: 2, type of connection: Screw connection
1765771	MSTBP 2,5/ 2-ST	Plug component, nominal current: 12 A, rated voltage: 250 V, pitch: 5.0 mm, no. of positions: 2, type of connection: Screw connection
1779835	MSTBT 2,5/ 2-ST	Plug component, nominal current: 12 A, rated voltage: 250 V, pitch: 5.0 mm, no. of positions: 2, type of connection: Screw connection
1792016	MVSTBR 2,5/ 2-ST	Plug component, nominal current: 12 A, rated voltage: 250 V, pitch: 5.0 mm, no. of positions: 2, type of connection: Screw connection
1835478	MVSTBR 2,5/ 2-STF	Plug with screw flange, nominal current: 12 A, rated voltage: 250 V, pitch: 5,0 mm, no. of positions: 2, type of connection: Screw connection
1792524	MVSTBW 2,5/ 2-ST	Plug component, nominal current: 12 A, rated voltage: 250 V, pitch: 5.0 mm, no. of positions: 2, type of connection: Screw connection
1835287	MVSTBW 2,5/ 2-STF	Plug component, nominal current: 12 A, rated voltage: 250 V, pitch: 5.0 mm, no. of positions: 2, type of connection: Screw connection
1768765	SMSTB 2,5/ 2-ST	Plug component, nominal current: 12 A, rated voltage: 250 V, pitch: 5.0 mm, no. of positions: 2, type of connection: Screw connection

Drawings

Drilling diagram



Dimensioned drawing



Address

PHOENIX CONTACT GmbH & Co. KG
Flachmarktstr. 8
32825 Blomberg, Germany
Phone +49 5235 3 00
Fax +49 5235 3 41200
<http://www.phoenixcontact.de>



© 2008 Phoenix Contact
Technical modifications reserved;